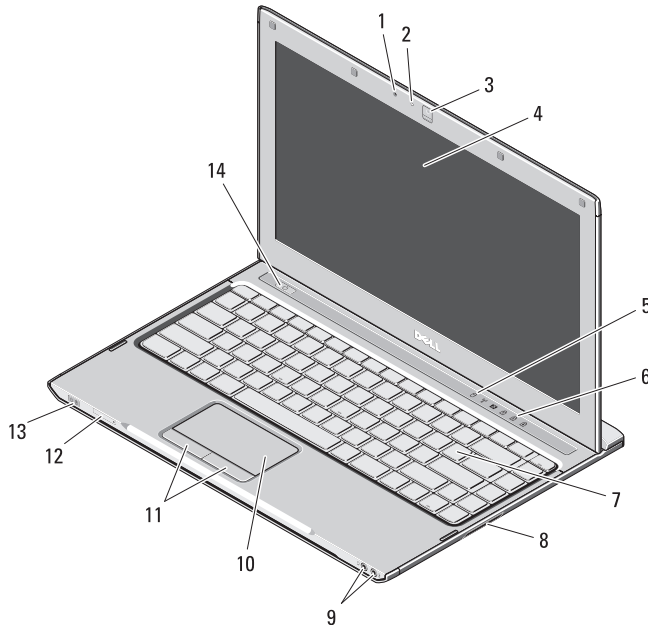


## About Warnings



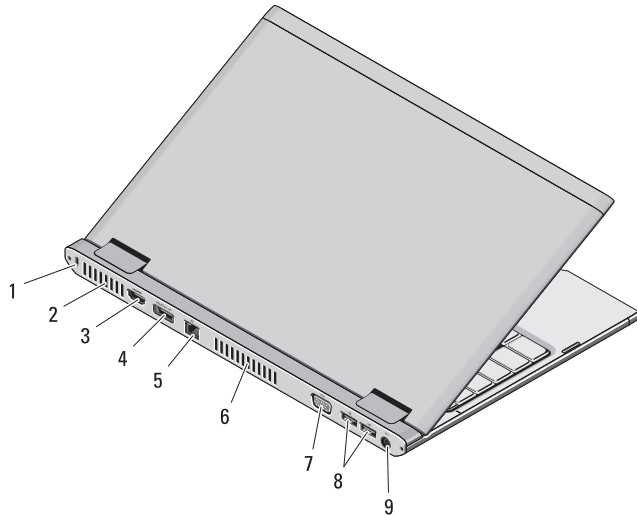
**WARNING:** A WARNING indicates a potential for property damage, personal injury, or death.



- 1 microphone
- 2 camera status light
- 3 camera
- 4 display
- 5 device status lights
- 6 keyboard status lights
- 7 keyboard
- 8 Secure Digital (SD) memory-card reader
- 9 audio connectors (2)
- 10 touchpad
- 11 touchpad buttons (2)
- 12 SIM card slot (optional)
- 13 power/battery status indicators
- 14 power button



## Back View



- 1 security cable slot
- 2 cooling vents
- 3 HDMI connector
- 4 eSATA/USB connector
- 5 network connector
- 6 cooling vents
- 7 video connector (VGA)
- 8 USB 2.0 connectors (2)
- 9 AC adapter connector



**WARNING:** Do not block, push objects into, or allow dust to accumulate in the air vents. Do not store your Dell computer in a low-airflow environment, such as a closed briefcase, while it is running. Restricting the airflow can damage the computer or cause a fire. The computer turns on the fan when the computer gets hot. Fan noise is normal and does not indicate a problem with the fan or the computer.

## Quick Setup



**WARNING:** Before you begin any of the procedures in this section, read the safety information that shipped with your computer. For additional best practices information, see [www.dell.com/regulatory\\_compliance](http://www.dell.com/regulatory_compliance).



**WARNING:** The AC adapter works with electrical outlets worldwide. However, power connectors and power strips vary among countries. Using an incompatible cable or improperly connecting the cable to the power strip or electrical outlet may cause fire or equipment damage.



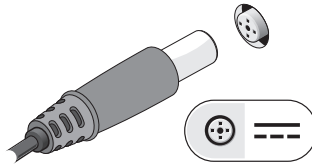
**CAUTION:** When you disconnect the AC adapter cable from the computer, grasp the connector, not the cable itself, and pull firmly but gently to avoid damaging the cable. When you wrap the AC adapter cable, ensure that you follow the angle of the connector on the AC adapter to avoid damaging the cable.



**NOTE:** Some devices may not be included if you did not order them.

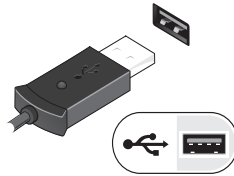
1

Connect the AC adapter to the AC adapter connector on the portable computer and to the electrical outlet.



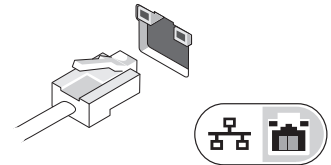
3

Connect USB devices, such as a mouse or keyboard (optional).



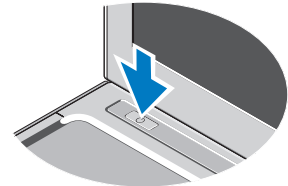
2

Connect the network cable (optional).



4

Open the computer display and press the power button to turn on the computer.



**NOTE:** It is recommended that you turn on and shut down your computer at least once before you install any cards or connect the computer to a docking device or other external device, such as a printer.

## Specifications



**NOTE:** Offerings may vary by region. For more information regarding the configuration of your computer, click **Start**→**Help and Support** and select the option to view information about your computer.

---

### System Information

---

Processor type	Intel® Core™ i3 Intel Core i5 Intel Celeron® Dual-Core
Chipset	Intel Mobile Express Series 5 Chipset

---

### Memory

---

Memory module connector	one SODIMM slot
Memory module capacity	1 GB, 2 GB, or 4 GB
Memory type	DDR3 SDRAM (800 MHz)
Minimum memory	1 GB (entry bundle with Ubuntu only)
Maximum memory	4 GB

---

### Video

---

Video type	integrated video on the system board
Data bus	integrated video
Video controller	Intel Graphics Media Accelerator HD (Intel GMA HD)

---

### Battery

---

Type	6-cell "smart" lithium-ion (30 WHr)
Dimensions	
Depth	155.20 mm (6.11 inches)
Height	5.35 mm (0.21 inch)
Width	177.60 mm (6.99 inches)
Weight	265 +/- 6 grams (0.58 +/- 0.01 lb)
Voltage	11.1 VDC
Temperature range	
Operating	0 °C to 35 °C (32 °F to 95 °F)
Storage	-40 °C to 65 °C (-40 °F to 149 °F)
Coin-cell battery	3 V CR2032 lithium

---

### AC Adapter

---

Input voltage	100 VAC to 240 VAC
Input current (maximum)	1.5 A/ 1.6 A/ 1.7 A
Input frequency	50 Hz to 60 Hz
Output power	65 W
Output current	3.34 A (continuous)
Rated output voltage	19.5 +/- 1.0 VDC

---

**AC Adapter (continued)**

---

## Temperature range

Operating	0 °C to 40 °C (32 °F to 104 °F)
Storage	-40 °C to 70 °C (-40 °F to 158 °F)

---

**Physical**

---

Height	16.50 mm to 19.70 mm (0.65 inch to 0.78 inch)
Width	330 mm (12.99 inches)
Depth	230 mm (9.05 inches)
Weight	<1.6 kg (<3.53 lb)

---

**Environmental**

---

## Temperature range

Operating	0 °C to 35 °C (32 °F to 95 °F)
Storage	-40 °C to 65 °C (-40 °F to 149 °F)

## Relative humidity (maximum)

Operating	10% to 90% (noncondensing)
Storage	5% to 95% (noncondensing)

## Altitude (maximum)

Operating	-15.2 m to 3048 m (-50 ft to 10,000 ft)
Storage	-15.2 m to 10,668 m (-50 ft to 35,000 ft)

## Finding More Information and Resources

See the safety and regulatory documents that shipped with your computer and the regulatory compliance website at

[www.dell.com/regulatory\\_compliance](http://www.dell.com/regulatory_compliance) for more information on:

- Safety best practices
- Warranty
- Terms and Conditions
- Regulatory certification
- Ergonomics
- End User License Agreement

---

**Information in this publication is subject to change without notice.  
© 2010 Dell Inc. All rights reserved. Printed in China.  
Printed on recycled paper.**

Reproduction of these materials in any manner whatsoever without the written permission of Dell Inc. is strictly forbidden.

Trademarks used in this text: Dell™, the DELL logo, and Vostro™ are trademarks of Dell Inc. Intel®, Pentium®, Xeon®, Core™ and Celeron® are registered trademarks of Intel Corporation in the U.S. and other countries.

Other trademarks and trade names may be used in this publication to refer to either the entities claiming the marks and names or their products. Dell Inc. disclaims any proprietary interest in trademarks and trade names other than its own.

